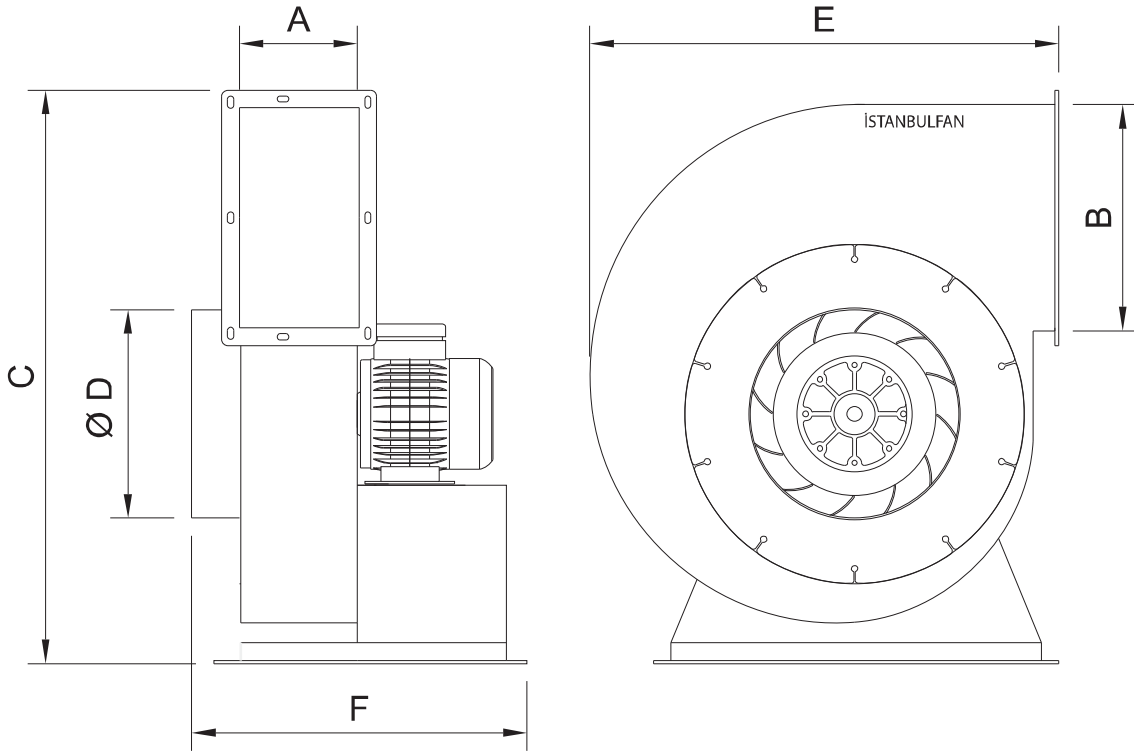


DOBS Serisi

Orta Basıncılı Sac Salyangozlar



ÜRÜN KODU	A	B	C	ØD	E	F
DOBS 320 -1.5 -90S- 2	200	260	670	250	560	460
DOBS 350A -2.2 -90L-2	250	280	730	300	615	505
DOBS 350B -3 -100L- 2	250	280	730	300	615	505
DOBS 400A -4 -112M- 2	220	330	825	320	695	540
DOBS 400B -5.5 -132S- 2	220	330	825	320	695	540
DOBS 450A -7.5 -132S- 2	220	350	930	350	785	585
DOBS 450B -11 -160M- 2	220	350	930	350	785	585
DOBS 500A -15 -160M- 2	250	410	1030	400	870	810
DOBS 500B -18.5 -160L- 2	250	410	1030	400	870	810
DOBS 550 -22 -180M- 2	270	450	1130	450	960	900

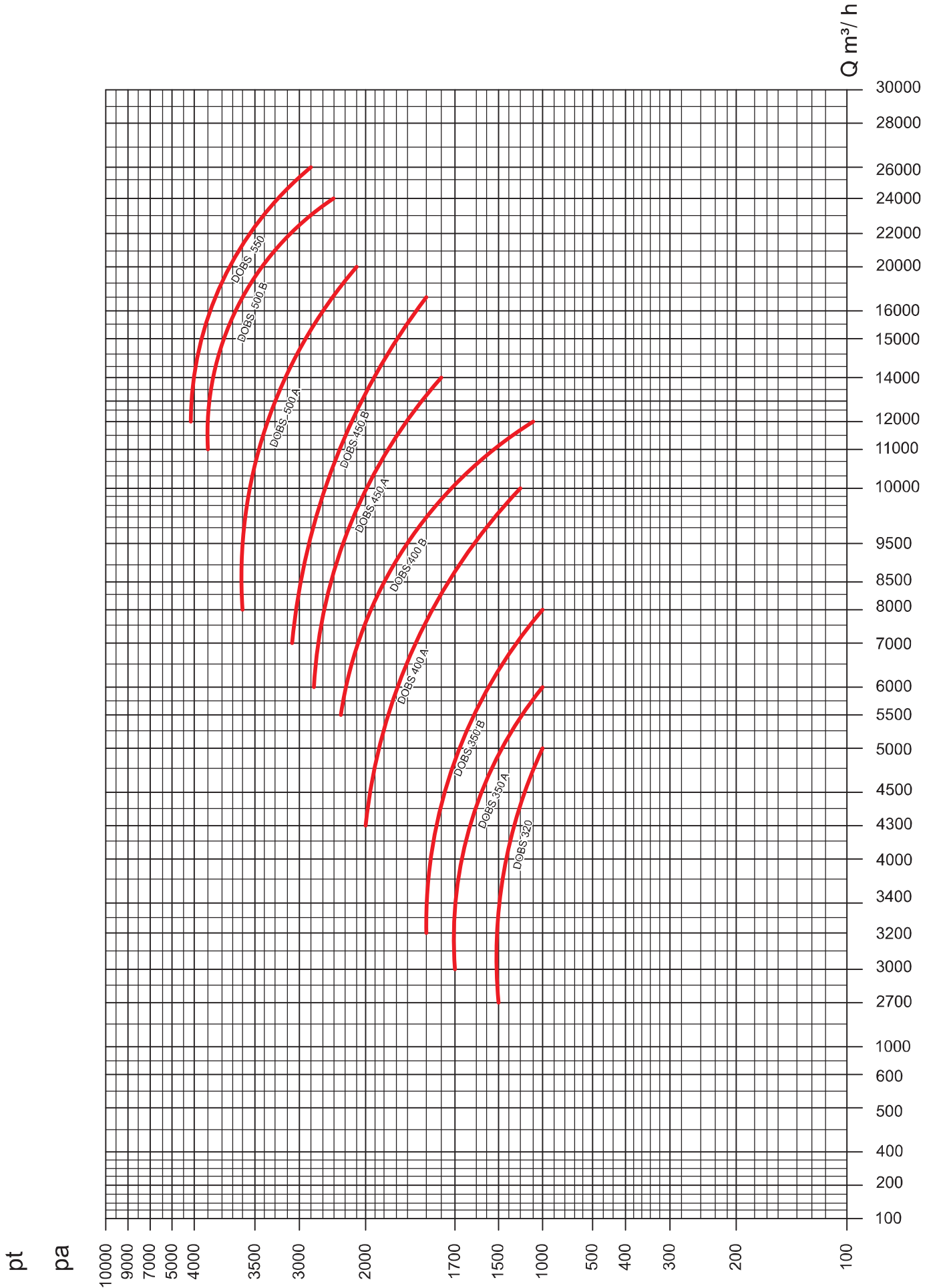
Yön Seçim Tablosu

SOL	F1	F2	F3	F4
	F5	F6	F7	F8
SAĞ	N1	N2	N3	N4
	N5	N6	N7	N8



DOBS Serisi

Hava Performans Eğrileri



DOBS Serisi
Hava Performans Verileri

ÜRÜN KODU	GÜÇ Kw	DEVİR dev/dk	Q = m ³ /h											
			2700	3000	3400	4000	4300	5000	5500	6000	7000	8000	8500	
			Pt = Pa											
DOBS 320- 1.5- 90S- 2	1.5	2850	1700	1500	1450	1400	1250	1050						
DOBS 350A- 2.2- 90L-2	2.2	2850		1700	1550	1450	1350	1150	1100	1000				
DOBS 350B- 3- 100L- 2	3	2850		1800	1840	1770	1650	1610	1510	1400	1250	1000		
DOBS 400A- 4- 112M - 2	4	2850				2000	2070	2050	2000	1850	1740	1600	1400	
DOBS 400B- 5.5- 132S - 2	5.5	2900							2200	2150	2000	1850	1650	
DOBS 450A- 7.5- 132S- 2	7.5	2900								2680	2610	2550	2470	
DOBS 450B- 11-160M- 2	11	2900									2900	2800	2740	
DOBS 500A- 15- 160M- 2	15	2900										3450	3420	
DOBS 500B- 18.5- 160L- 2	18.5	2900												
DOBS 550- 22- 180M- 2	22	2900												

DOBS Serisi

Hava Performans Verileri

Q = m ³ /h														
9500	10000	11000	12000	14000	15000	16000	17000	18000	20000	22000	24000	26000	28000	
Pt = Pa														
1300	1250													
1400	1100													
2330	2100	1900	1800											
2600	2370	2200	2150	1900	1880	1860	1850							
3300	3250	3100	3050	2900	2600	2800	2600	2500	2050					
	3700	3600	3470	3340	3050	2800	2750	2500	2300	2150	2100			
			3700	3400	3100	3850	2800	2600	2100	2400	2300	1400		