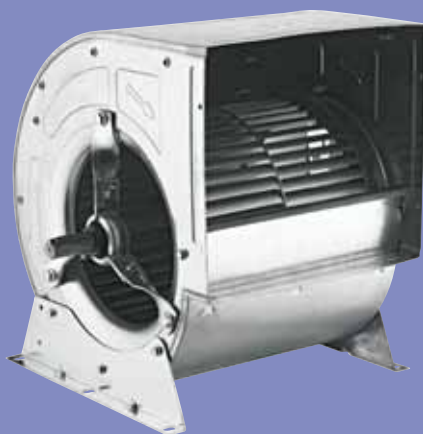


RADIAL FANS

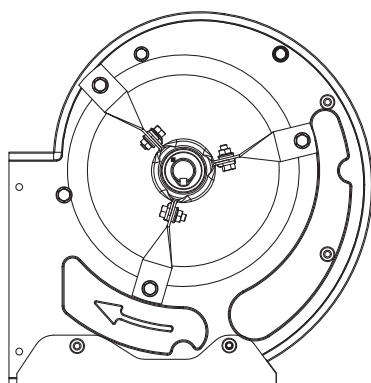
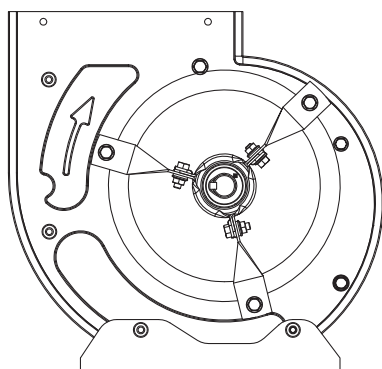
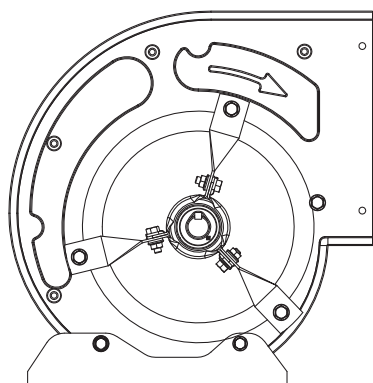


BRV/BRV-K

LOW PRESSURE CENTRIFUGAL BLOWERS Forward Curved

BRV (double inlet fans) can be manufactured for the flow rates between 3500 and 25000 m³/h. Max. efficiency with low energy. BRV-K models are reinforced version.

Technical Drawings



MATERIAL

: Housing is made of galvanized sheet metal, forward curved fan is made of galvanized sheet metal, shaft is made of ST-45 steel and free axle supported at both ends by permanently greased ball bearings, bearing protectors are made of caoutchouc.

DIRECTIVE

: EN 60335-1, EN 60335-2-80

SPEED CONTROL

: Speed is adjusted using belt pulley.

APPLICATION AREAS

: Ventilation units, central climate units, workplaces, offices, cafes, restaurants, meeting rooms, supermarkets, spor complexes etc. and comfort expected places.

TYPE	AIR FLOW m ³ /h	WEIGHT kg
BRV 7-7	3500	6.1
BRV 9-9	5000	8.2
BRV 10-10	6500	9.4
BRV 12-12	10000	15.5
BRV 15-15	18000	20.7
BRV 18-18	25000	40.5

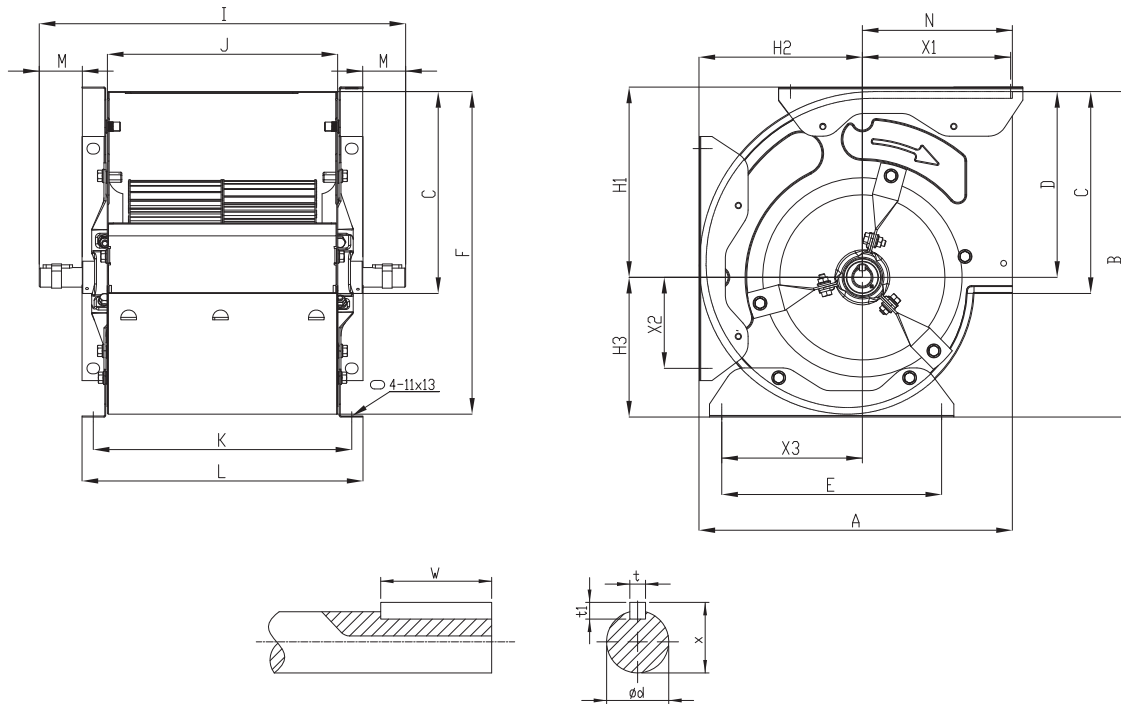
Accessories



BDEB

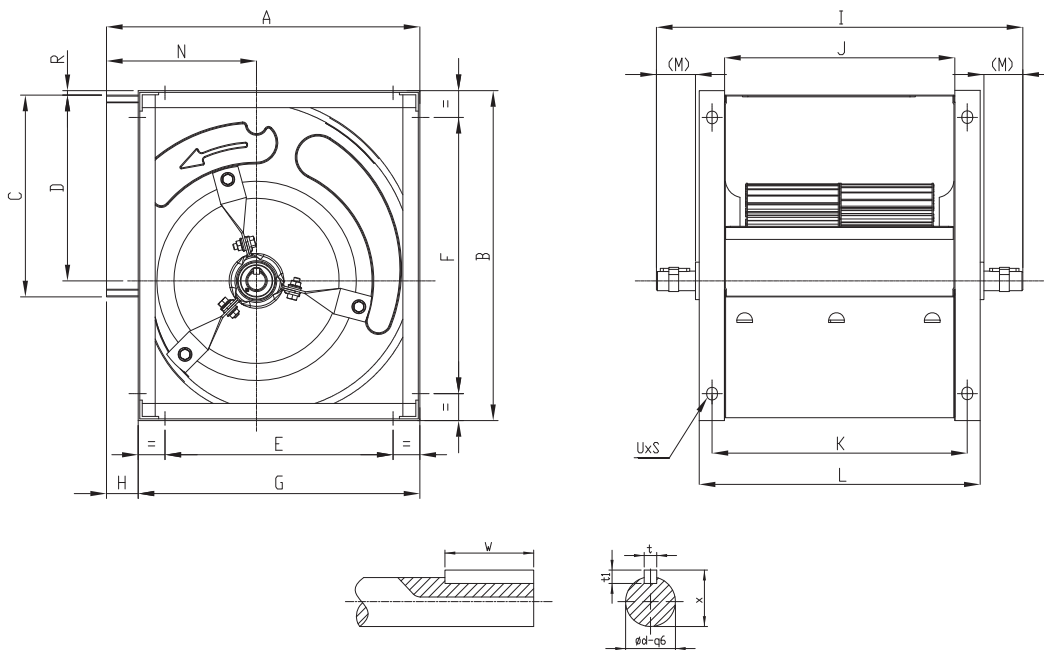


BDH



TYPE	A	B	C	D	E	F	I	J	K	L	M	N	X	t	t1	W	d	H1	H2	H3	X1	X2	X3
BRV 7/7	321	333	207	190	225	330	375	236	264.5	287.5	44	154	22.5	6	6	30	20	195	167	142	152	93	144
BRV 9/9	390	400	261	218	300	390	435	296	325.5	350.5	44	217	22.5	6	6	30	20	225	208	182	202	114	184
BRV 10/10	435	455	290	250	339	445	500	333	361	386	57	197	28	8	7	50	25	258	238	205	161	146	200
BRV 12/12	498.5	535	336	292	409	520	580	398	428	453	65	229	28	8	7	50	25	304	270	243	223	139	257
BRV 15/15	597	620	402	341	497	610	650	476	505	531	60	264	28	8	7	60	25	349	324	279	260	214	301
BRV 18/18	687	753	477	411	605.5	732	754	559	591	614	71	313	28	8	7	65	25	424.5	375	342	282	281	330

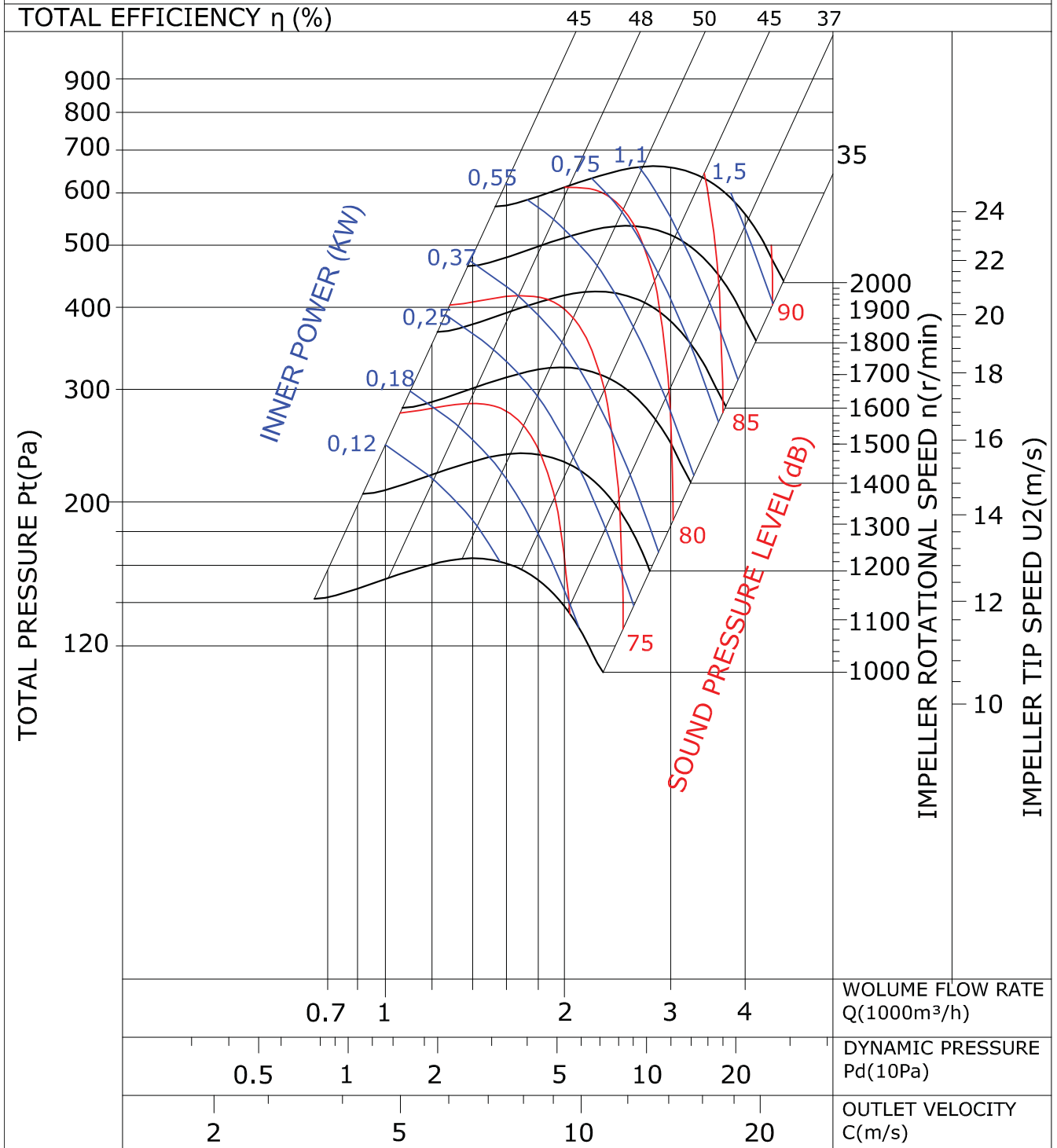
Dimensions are in (mm)



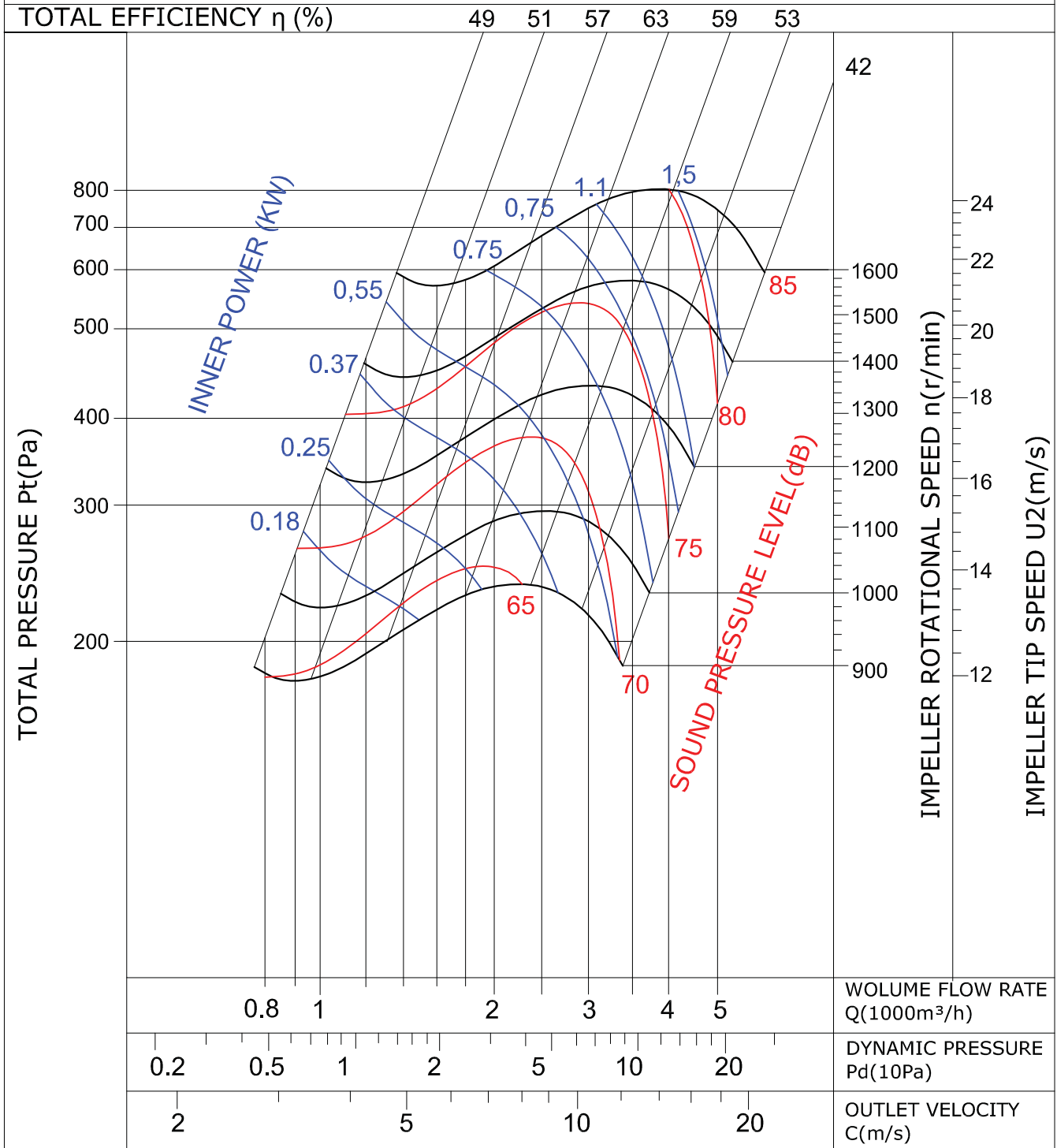
TYPE	A	B	C	D	E	F	G	H	I	J	K	L	M	N	R	t	t1	W	X	d	UxS
BRV-K 15/15	569	609	404	342	497	531	539	36	675	471	495	520	75	264	4	8	7	65	33	25	11X16
BRV-K 18/18	684	739	477	415	608	641	654	36	790	557	583	607	87	314	6	10	8	70	38	25	11X16

Dimensions are in (mm)

BRV 7



BRV 9



DUCT FANS

ROOF FANS

AXIAL FANS

RADIAL FANS

PLASTIC FANS

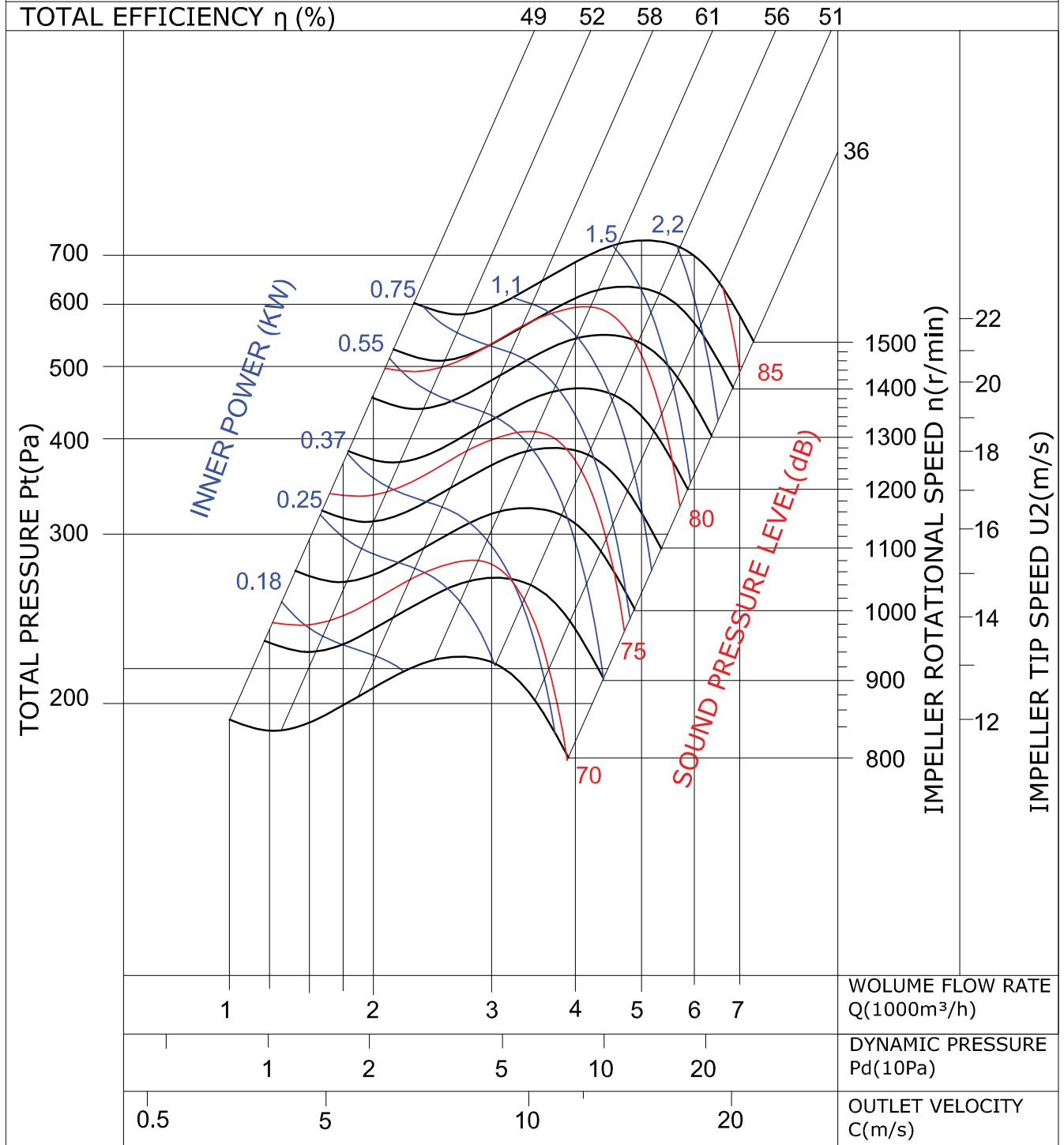
VENTILATORS

SMOKE EXHAUST SYSTEMS

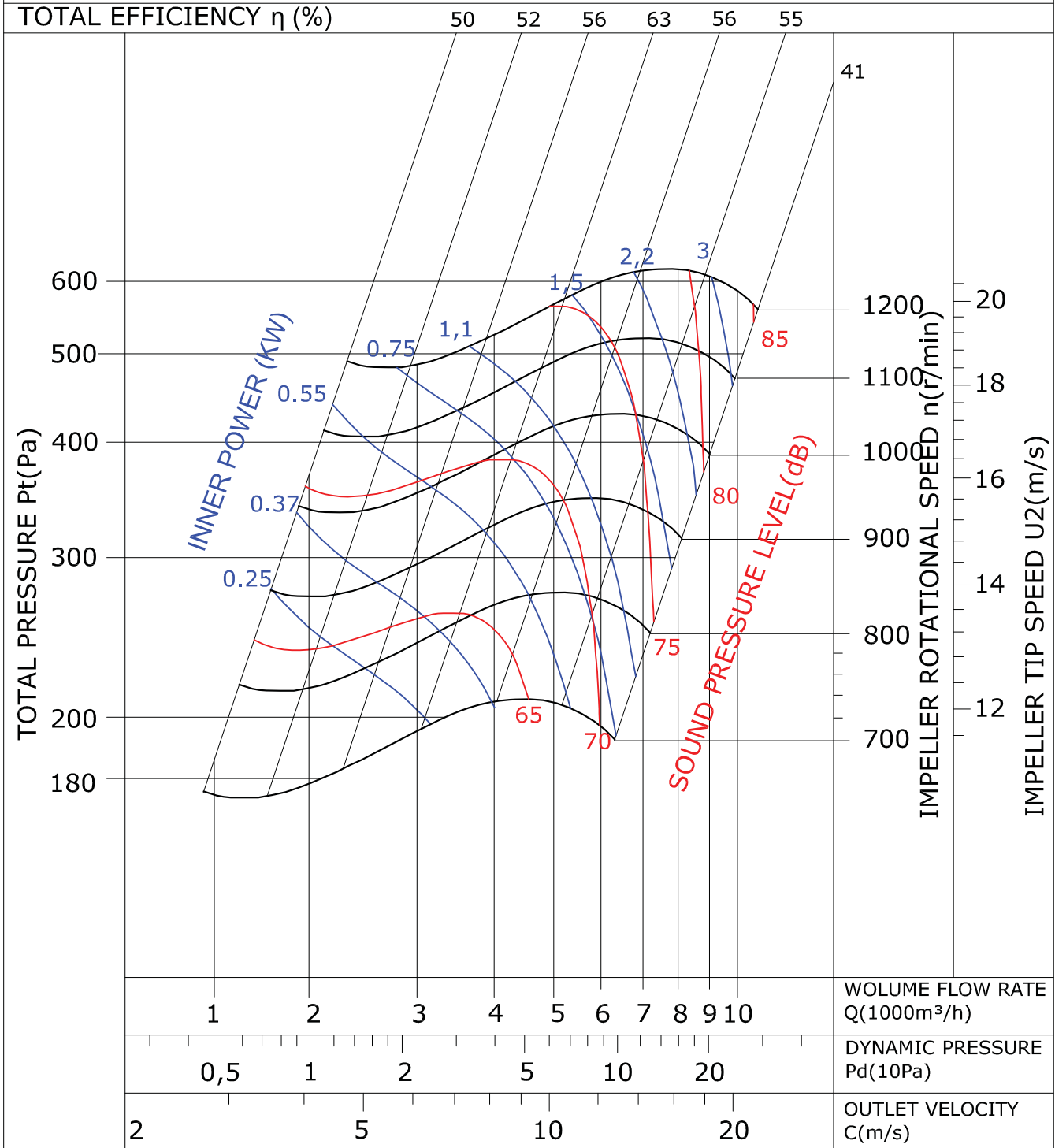
ACCESSORIES

RADIAL FANS

BRV 10



BRV 12



DUCT FANS

ROOF FANS

AXIAL FANS

RADIAL FANS

PLASTIC FANS

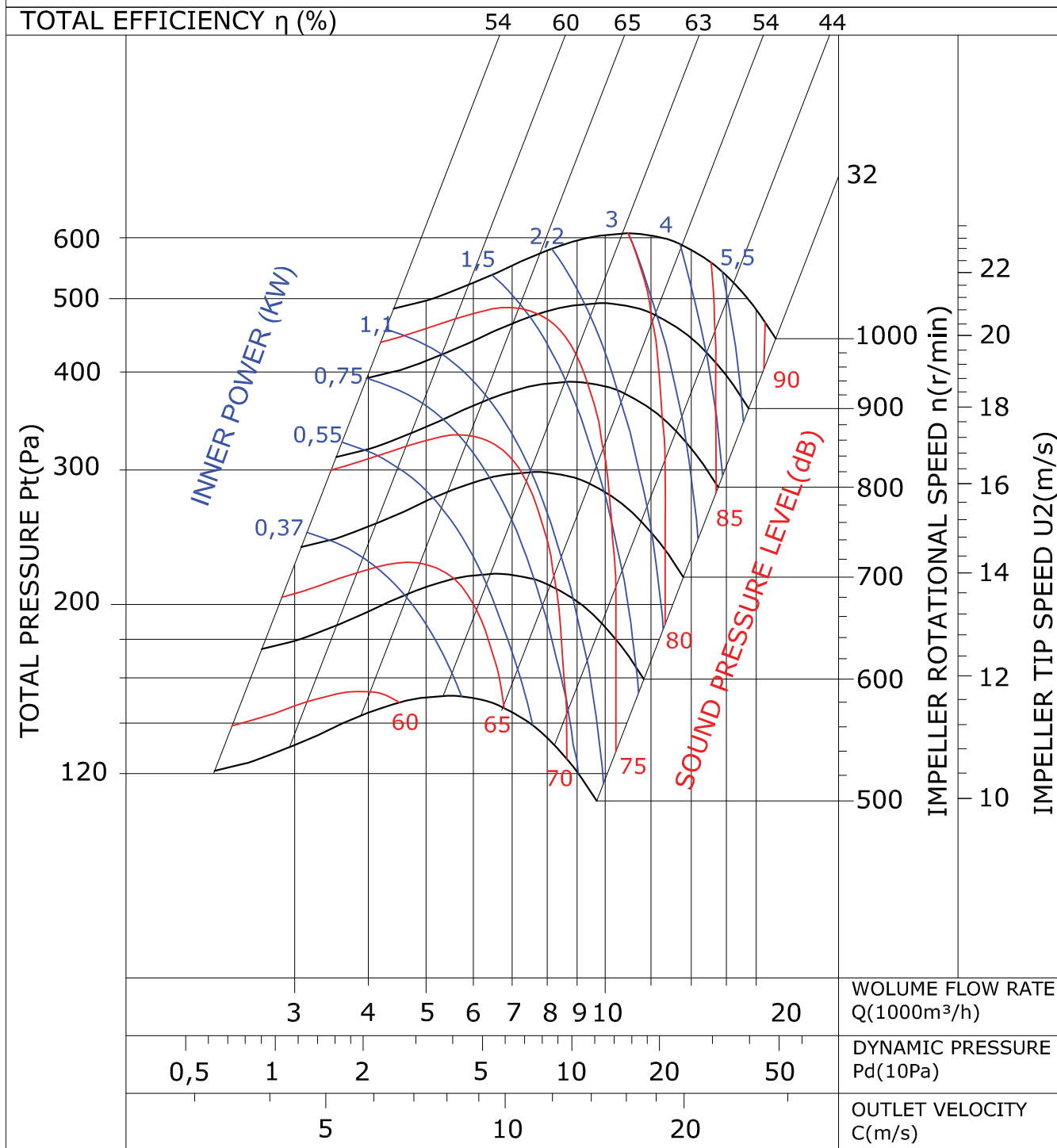
VENTILATORS

SMOKE EXHAUST SYSTEMS

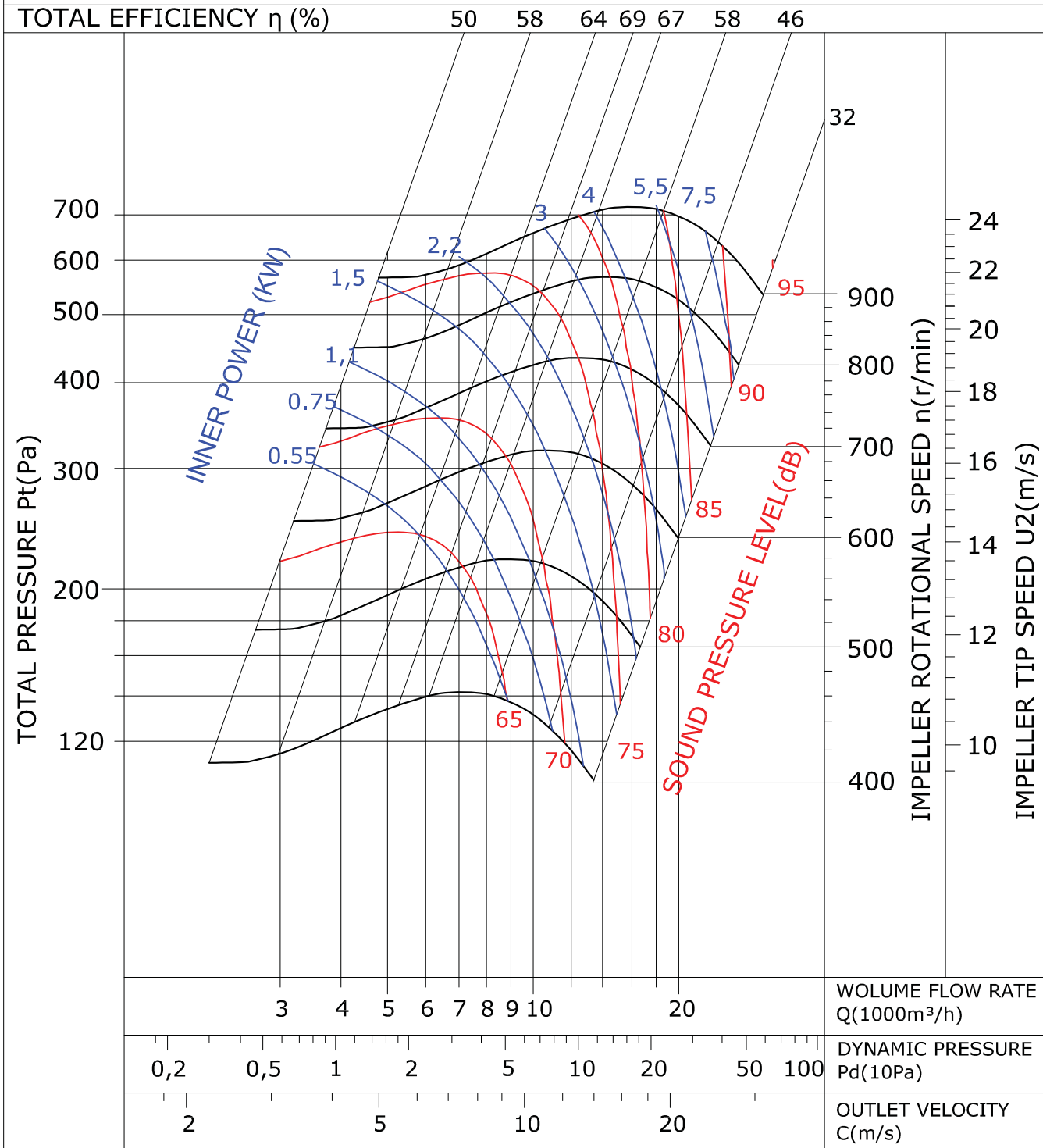
ACCESSORIES

RADIAL FANS

BRV 15



BRV 18



DUCT FANS

ROOF FANS

AXIAL FANS

RADIAL FANS

PLASTIC FANS

VENTILATORS

SMOKE EXHAUST SYSTEMS

ACCESSORIES