

RADIAL FANS

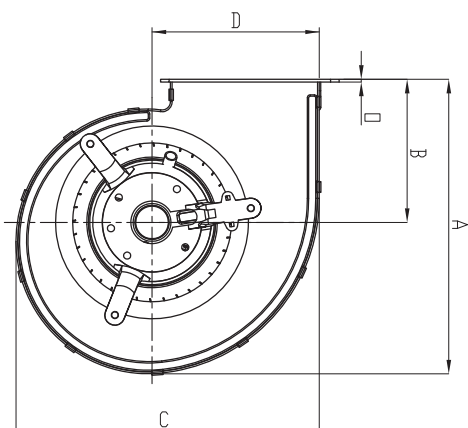


BFC

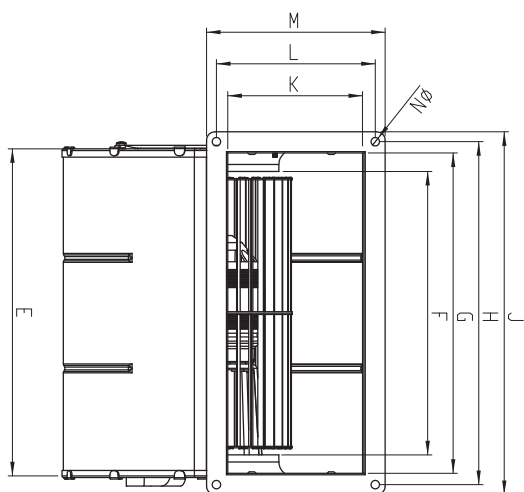
AC FANCOIL FANS Forward Curved

BFC (double inlet centrifugal) fans work at high efficiency and low noise.

Technical Drawings



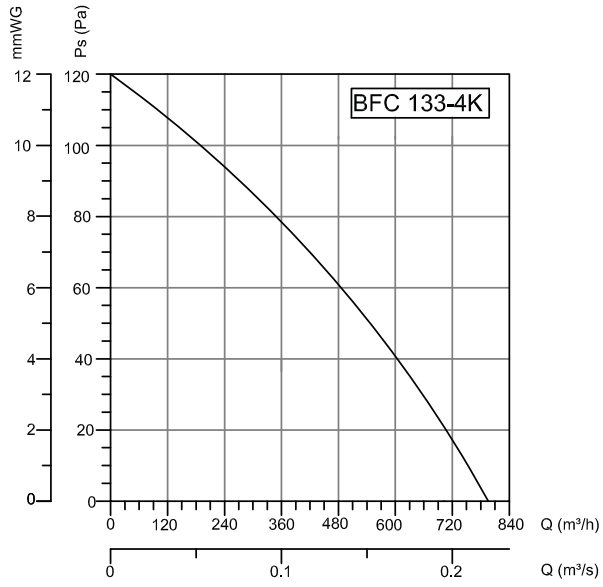
- MATERIAL** : Housing is made of galvanized sheet metal, impeller is forward curved and made of galvanized sheet metal.
- INSULATION CLASS** : Class B
- DIRECTIVE** : EN 60335-1, EN 60335-2-80
- SPEED CONTROL** : Speed can be adjusted using an optional controller.
- APPLICATION AREAS** : At fancoil units, local cooling applications, low noise asked air circulation applications.



TYPE	VOLTAGE	FREQUENCY	POWER	CURRENT	CAPACITOR	SPEED	AIR FLOW	SOUND PRESSURE LEVEL	WEIGHT
	V	Hz	W	(A)	(μ F)	d/d	m ³ /h	dB(A)	kg
BFC 133-4K	230	50	85	0,37	2,5	1180	800	45	4,7

TYPE	A	B	C	D	E	F	G	H	J	K	L	M	N	O
BFC 133-4K	208	101	214	118	231	200	226	242	256	95	112	126	06	2

Dimensions are in (mm)



Accessories



- DUCT FANS
- ROOF FANS
- AXIAL FANS
- RADIAL FANS**
- PLASTIC FANS
- VENTILATORS
- SMOKE EXHAUST SYSTEMS
- ACCESSORIES