

RADIAL FANS

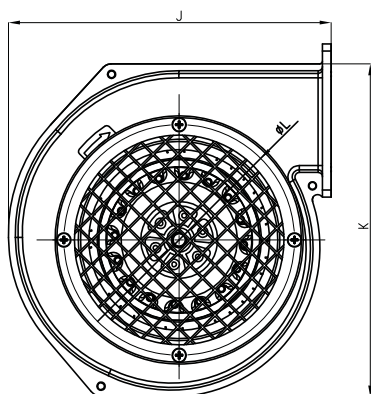
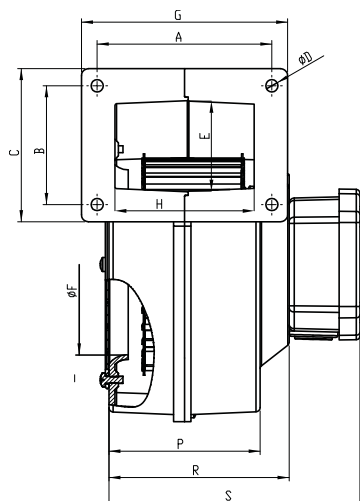


BDRAS

AC CENTRIFUGAL BLOWERS Aluminum Body

Low noise, resistant housing structure, high pressure. Single Inlet BDRAS fans compact structure benefits space saving for various cooling and ventilation applications.

Technical Drawings



MATERIAL

: Casing is made of Aluminium, impeller is forward curved and made of galvanized sheet iron.

INSULATION CLASS

: Class B

DIRECTIVE

: EN 60335-1, EN 60335-2-80

SPEED CONTROL

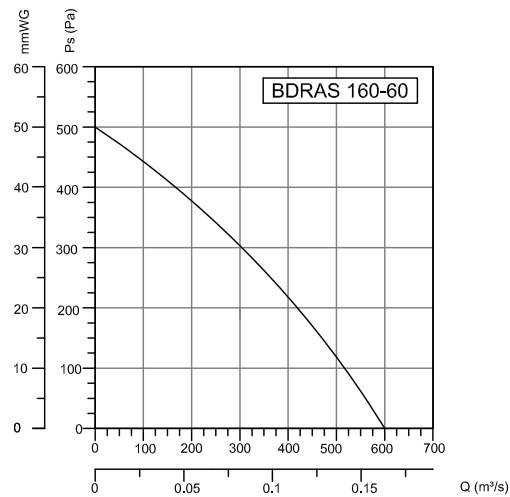
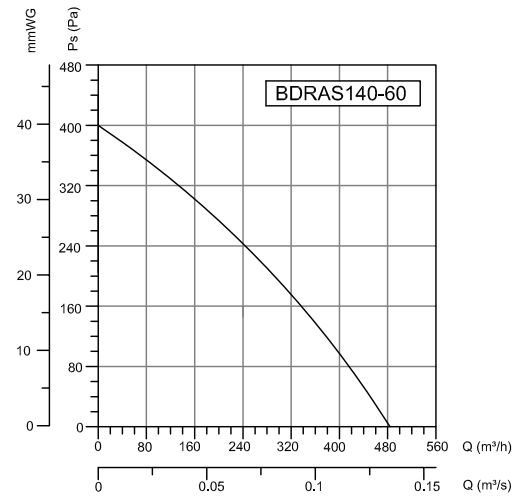
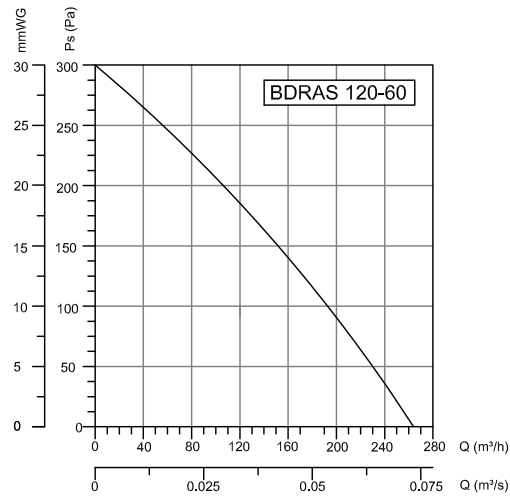
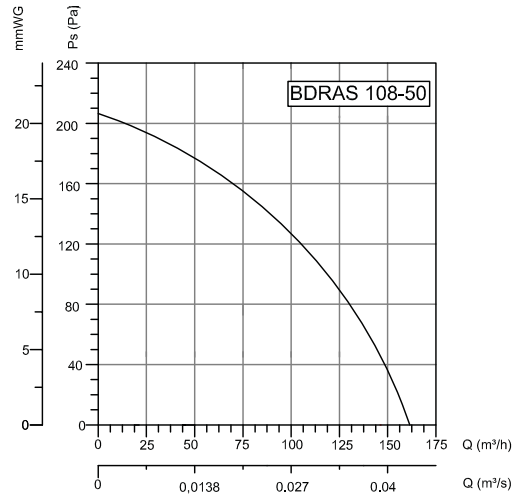
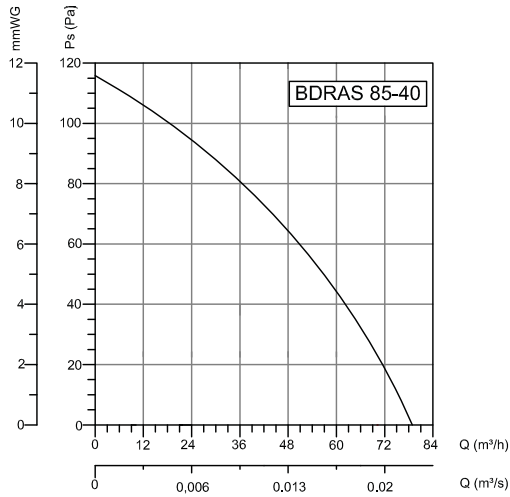
: Speed can be adjusted using an optional controller. (BSC-1 / BSC-2)

APPLICATION AREAS

: Perfect for industrial and commercial applications, especially local cooling applications and heating systems. Machines cooling, boilers, yacht air conditioning, DC motor cooling, plastic machines, sock machines, electric board cooling, laboratories, residential and industrial areas etc.

TYPE	A	B	C	D	E	F	G	H	J	K	L	P	R	S
BDRAS 85-40	66	58	68	5,5	42	63	76	56	117,5	127,5	84	80	-	120
BDRAS 108-50	96	66	83	6,5	50	87	115	76	159	183	118	82	-	122
BDRAS 120-60	99	67,5	88	6,5	49	103,5	118,5	80	190	184	132	87	104	145
BDRAS 140-60	123	84	125	6,5	78	110	154	79	197	203	144,5	100	110	151
BDRAS 160-60	114	105	120	8	90	117,5	130	93,5	229	248	158	100	-	135

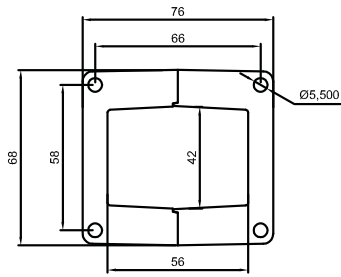
Dimensions are in (mm)



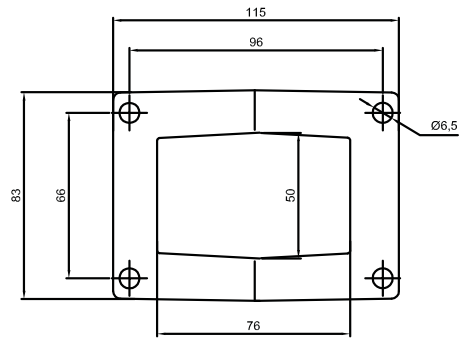
TYPE	VOLTAGE	FREQUENCY	POWER	CURRENT	CAPACITOR	SPEED	AIR FLOW	SOUND PRESSURE LEVEL	WEIGHT
	V	Hz	W	(A)	(µF)	d/d	m³/h	dB(A)	kg
BDRAS 85-40	230	50	33	0,16	1	2355	80	53	1,1
BDRAS 108-50	230	50	42	0,2	1,5	1660	155	53	1,4
BDRAS 120-60	230	50	84	0,37	2,5	2450	275	60	2,5
BDRAS 140-60	230	50	137	0,6	4	2265	485	70	3
BDRAS 160-60	230	50	193	0,85	5	2100	600	72	3,9

- DUCT FANS
- ROOF FANS
- AXIAL FANS
- RADIAL FANS**
- PLASTIC FANS
- VENTILATORS
- SMOKE EXHAUST SYSTEMS
- ACCESSORIES

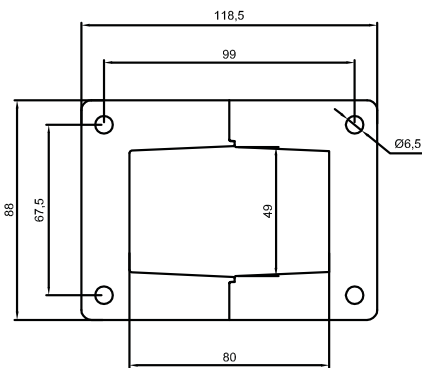
BDRAS FLANGE TYPES



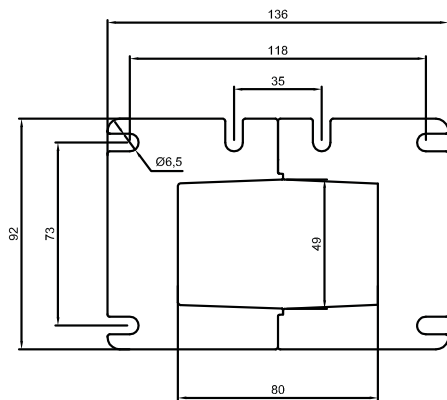
BDRAS 85-40



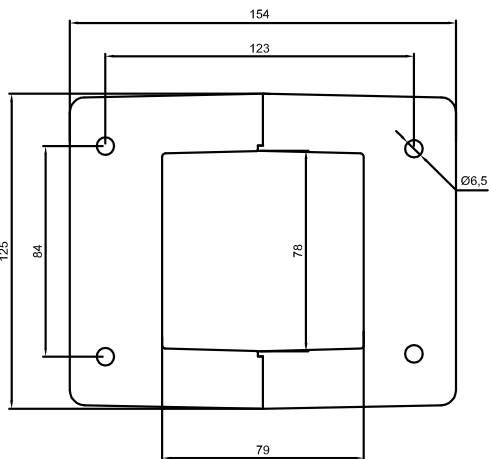
BDRAS 108-50



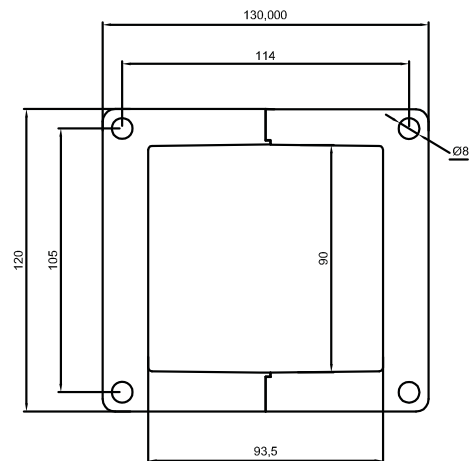
BDRAS 120-60



BDRAS 120-60



BDRAS 140-60



BDRAS 160-60



Accessories



BSC



DUCT FANS

ROOF FANS

AXIAL FANS

RADIAL FANS

PLASTIC FANS

VENTILATORS

SMOKE EXHAUST SYSTEMS

ACCESSORIES