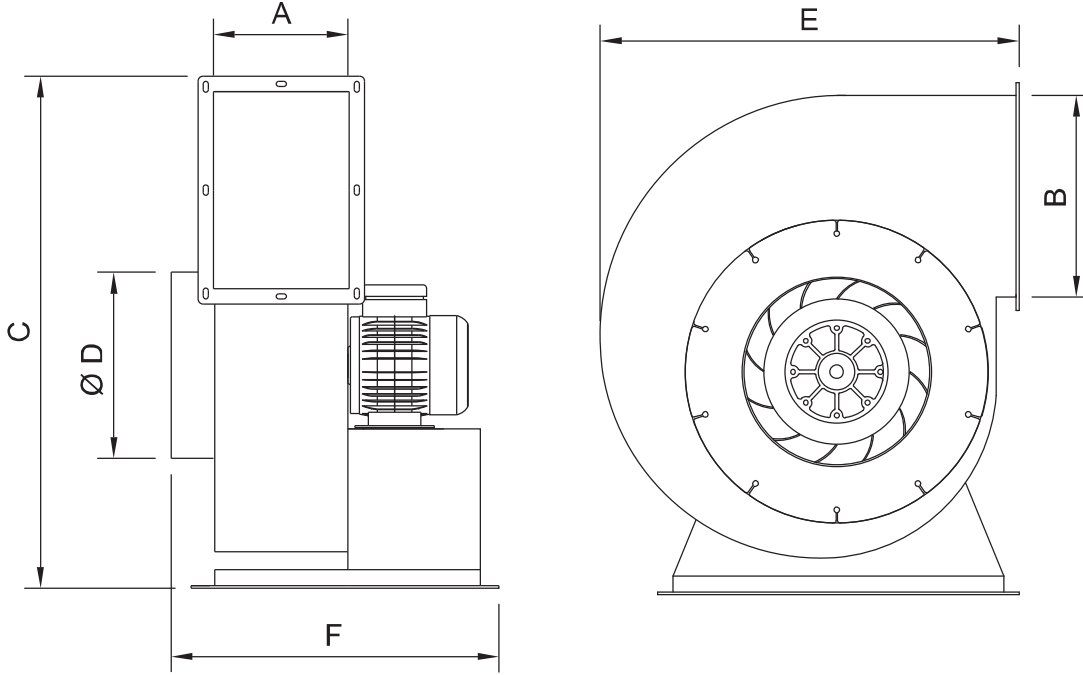


ABS Serisi

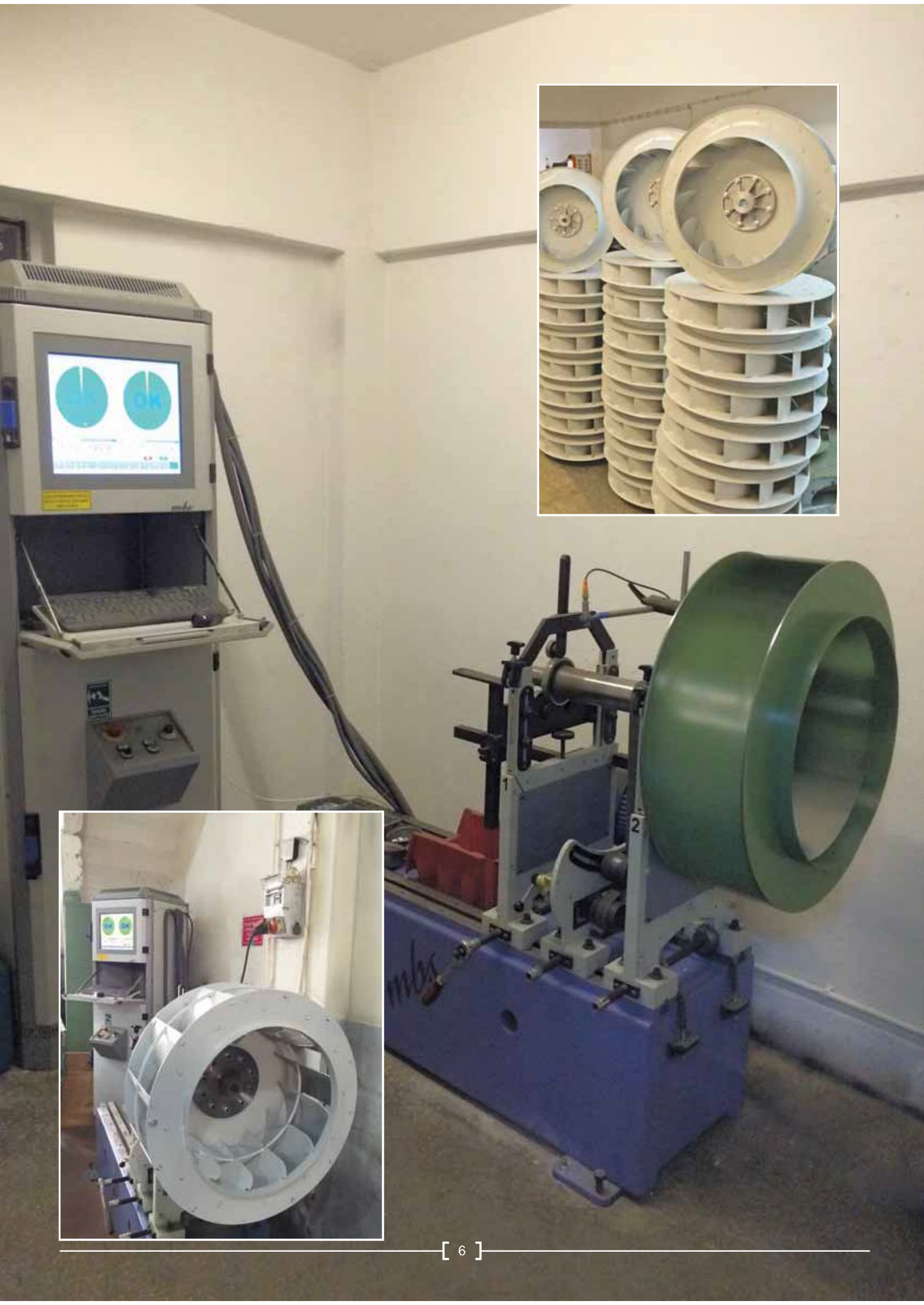
Alçak Basıncılı Sac Salyangozlar



| ÜRÜN KODU | A | B | C | ØD | E | F |
|----------------------|-----|-----|------|------|------|------|
| ABS 320 - 0,55-80M-4 | 200 | 260 | 670 | 250 | 560 | 435 |
| ABS 350A-0,55-80M-4 | 250 | 280 | 730 | 300 | 615 | 505 |
| ABS 350B-0,55-80M-4 | 250 | 280 | 730 | 300 | 615 | 505 |
| ABS 400A-0,75-80S-4 | 270 | 330 | 825 | 320 | 695 | 550 |
| ABS 400B-1,1-90S-4 | 270 | 330 | 825 | 320 | 695 | 550 |
| ABS 450A-1,1-90S-4 | 270 | 350 | 930 | 350 | 785 | 585 |
| ABS 450B-1,5-90L-4 | 270 | 350 | 930 | 350 | 785 | 585 |
| ABS 500A-2,2-100L-4 | 335 | 410 | 1030 | 400 | 870 | 680 |
| ABS 500B-2,2-100L-4 | 335 | 410 | 1030 | 400 | 870 | 680 |
| ABS 550A-4-112M-4 | 350 | 450 | 1130 | 450 | 960 | 730 |
| ABS 550B-4-112M-4 | 350 | 450 | 1130 | 450 | 960 | 730 |
| ABS630A-5,5-132M-4 | 400 | 520 | 1300 | 500 | 1100 | 830 |
| ABS 630B-7,5-132M-4 | 400 | 520 | 1300 | 500 | 1100 | 830 |
| ABS 630C-7,5-132M-4 | 400 | 520 | 1300 | 500 | 1100 | 830 |
| ABS 700-11-160M-4 | 500 | 570 | 1410 | 650 | 1230 | 1060 |
| ABS 700B-15-160L-4 | 500 | 570 | 1410 | 650 | 1230 | 1060 |
| ABS 800A-18,5-180M-4 | 550 | 640 | 1580 | 745 | 1390 | 1140 |
| ABS 800B-22-180L-4 | 580 | 640 | 1580 | 745 | 1390 | 1180 |
| ABS 900A-30-200L-4 | 630 | 800 | 1785 | 900 | 1560 | 1340 |
| ABS 900B-37-225S-4 | 630 | 800 | 1785 | 900 | 1560 | 1340 |
| ABS 1000A-55-250M-4 | 710 | 900 | 2000 | 1000 | 1755 | 1510 |
| ABS 1000B-75-280S-4 | 710 | 900 | 2000 | 1000 | 1755 | 1510 |

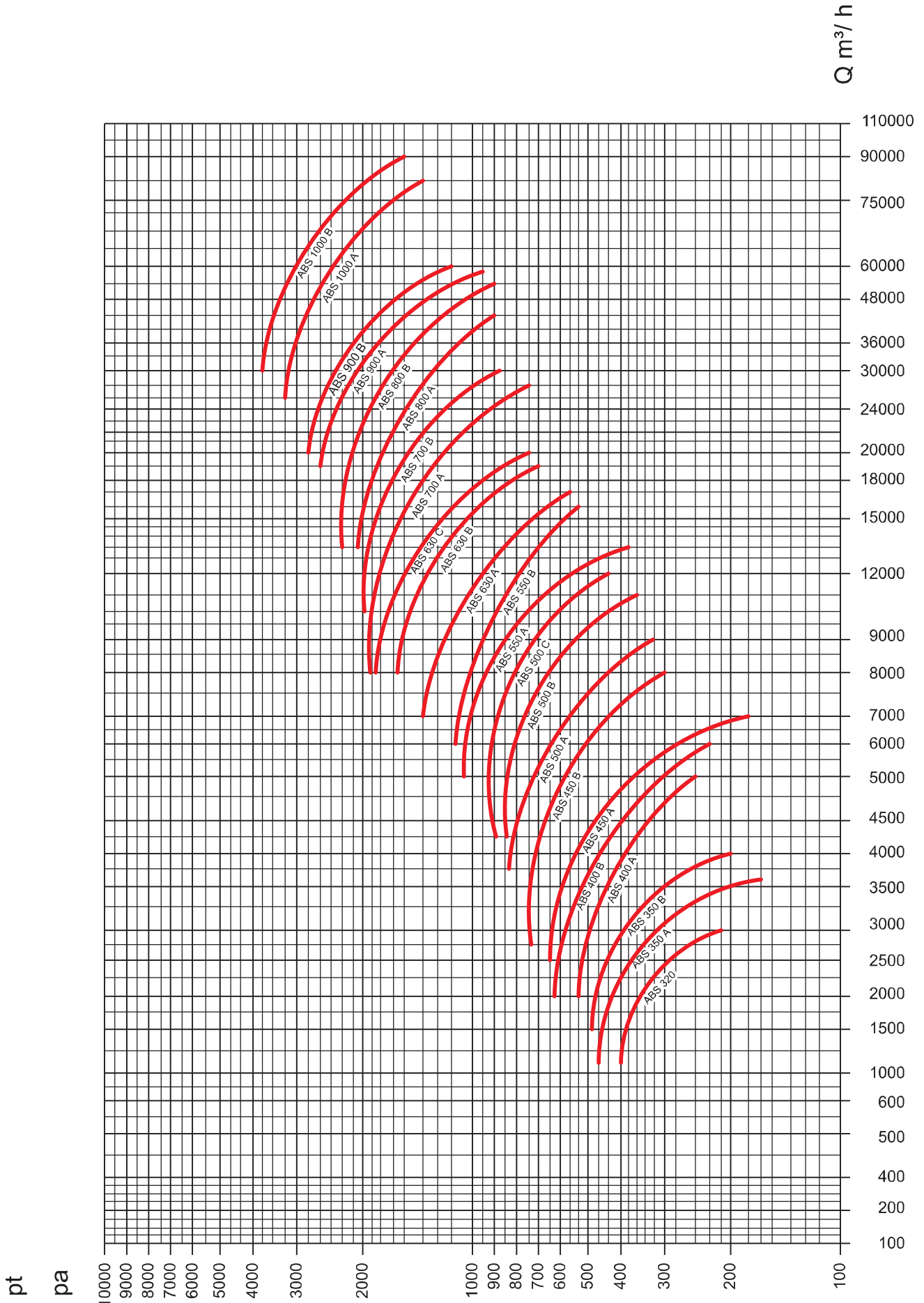
Yön Seçim Tablosu

| | | | | |
|-----|----|----|----|----|
| SOL | F1 | F2 | F3 | F4 |
| | F5 | F6 | F7 | F8 |
| SAĞ | N1 | N2 | N3 | N4 |
| | N5 | N6 | N7 | N8 |



ABS Serisi

Hava Performans Eğrileri



ABS Serisi
Hava Performans Verileri

| ÜRÜN KODU | GÜÇ Kw | DEVİR dev/dk. | Q = m ³ /h | | | | | | | | | | | | | | |
|----------------------|-----------|------------------|-----------------------|------|------|------|------|------|------|------|------|------|------|------|------|------|--|
| | | | 1350 | 1500 | 1700 | 1950 | 2150 | 2400 | 2700 | 3000 | 3500 | 3800 | 4000 | 5000 | 5400 | 6000 | |
| | | | Pt = Pa | | | | | | | | | | | | | | |
| ABS 320 - 0.55-80M-4 | 0.55 | 1450 | 360 | 350 | 340 | 330 | 310 | 290 | 250 | 210 | | | | | | | |
| ABS 350A-0.55-80M-4 | 0.55 | 1450 | 370 | 360 | 350 | 340 | 320 | 300 | 260 | 220 | 160 | | | | | | |
| ABS 350B-0.55-80M-4 | 0.55 | 1450 | | 400 | 390 | 370 | 350 | 330 | 310 | 260 | 230 | 170 | 160 | | | | |
| ABS 400A-0.75-80S-4 | 0.75 | 1450 | | | | 510 | 500 | 490 | 460 | 450 | 420 | 380 | 320 | 280 | | | |
| ABS 400B-1.1-90S-4 | 1.1 | 1450 | | | | 520 | 510 | 500 | 470 | 460 | 440 | 400 | 340 | 300 | 240 | | |
| ABS 450A-1.1-90S-4 | 1.1 | 1450 | | | | | | 570 | 560 | 540 | 520 | 510 | 460 | 400 | 390 | 330 | |
| ABS 450B-1.5-90L-4 | 1.5 | 1450 | | | | | | | 700 | 670 | 660 | 650 | 640 | 580 | 540 | 470 | |
| ABS 500A-2.2-100L-4 | 2.2 | 1450 | | | | | | | | | 780 | 770 | 760 | 750 | 740 | 700 | |
| ABS 500B-2.2-100L-4 | 2.2 | 1450 | | | | | | | | | | | 870 | 860 | 830 | 800 | |
| ABS 500C-3-100L-4 | 3 | 1450 | | | | | | | | | | | 880 | 870 | 840 | 820 | |
| ABS 550A-4-112M-4 | 4 | 1450 | | | | | | | | | | | | 1000 | 1000 | 980 | |
| ABS 550B-4-112M-4 | 4 | 1450 | | | | | | | | | | | | | 1100 | 1050 | |
| ABS630A-5.5-132M-4 | 5.5 | 1450 | | | | | | | | | | | | | | | |
| ABS 630B-7.5-132M-4 | 7.5 | 1450 | | | | | | | | | | | | | | | |
| ABS 630C-7.5-132M-4 | 7.5 | 1450 | | | | | | | | | | | | | | | |
| ABS 700A-11-160M-4 | 11 | 1450 | | | | | | | | | | | | | | | |
| ABS 700B-15-160L-4 | 15 | 1450 | | | | | | | | | | | | | | | |
| ABS 800A-18.5-180M-4 | 18.5 | 1450 | | | | | | | | | | | | | | | |
| ABS 800B-22-180L-4 | 22 | 1450 | | | | | | | | | | | | | | | |
| ABS 900A-30-200L-4 | 30 | 1470 | | | | | | | | | | | | | | | |
| ABS 900B-37-225S-4 | 37 | 1470 | | | | | | | | | | | | | | | |
| ABS 900C-45-225S-4 | 45 | 1475 | | | | | | | | | | | | | | | |
| ABS 1000A-55-250M-4 | 55 | 1475 | | | | | | | | | | | | | | | |
| ABS 1000B-75-280S-4 | 75 | 1475 | | | | | | | | | | | | | | | |

ABS Serisi

Hava Performans Verileri

| Q = m³/h | | | | | | | | | | | | | | | | | | | | | | | | | | |
|----------|------|------|------|-------|-------|-------|-------|-------|-------|-------|-------|-------|-------|-------|-------|-------|-------|-------|-------|-------|-------|-------|------|------|------|--|
| 6750 | 7000 | 8000 | 9000 | 10000 | 12000 | 14000 | 16000 | 18000 | 20000 | 22000 | 24000 | 26000 | 30000 | 35000 | 37000 | 40000 | 50000 | 55000 | 60000 | 67000 | 75000 | 96000 | | | | |
| Pt = Pa | | | | | | | | | | | | | | | | | | | | | | | | | | |
| | | | | | | | | | | | | | | | | | | | | | | | | | | |
| | | | | | | | | | | | | | | | | | | | | | | | | | | |
| | | | | | | | | | | | | | | | | | | | | | | | | | | |
| | | | | | | | | | | | | | | | | | | | | | | | | | | |
| | 180 | 160 | | | | | | | | | | | | | | | | | | | | | | | | |
| | 440 | 420 | 340 | 300 | | | | | | | | | | | | | | | | | | | | | | |
| | 660 | 650 | 570 | 470 | 310 | | | | | | | | | | | | | | | | | | | | | |
| | 780 | 750 | 700 | 500 | 350 | | | | | | | | | | | | | | | | | | | | | |
| | 800 | 770 | 740 | 600 | 500 | 450 | 400 | | | | | | | | | | | | | | | | | | | |
| | 970 | 960 | 940 | 840 | 740 | 610 | 360 | | | | | | | | | | | | | | | | | | | |
| | 1040 | 1020 | 1000 | 950 | 840 | 800 | 640 | 550 | | | | | | | | | | | | | | | | | | |
| | | 1350 | 1330 | 1310 | 1210 | 1170 | 1100 | 850 | 550 | | | | | | | | | | | | | | | | | |
| | | | | 1440 | 1370 | 1320 | 1220 | 1050 | 950 | 740 | | | | | | | | | | | | | | | | |
| | | | | 1450 | 1390 | 1340 | 1240 | 1120 | 1000 | 760 | | | | | | | | | | | | | | | | |
| | | | | 1650 | 1640 | 1620 | 1600 | 1500 | 1400 | 1200 | 1100 | 1050 | 770 | | | | | | | | | | | | | |
| | | | | | 1800 | 1790 | 1760 | 1650 | 1600 | 1470 | 1300 | 1280 | 1120 | 940 | 850 | | | | | | | | | | | |
| | | | | | | | | 2170 | 2140 | 2100 | 2050 | 2000 | 1900 | 1700 | 1500 | 900 | | | | | | | | | | |
| | | | | | | | | | 2300 | 2250 | 2200 | 2150 | 2100 | 2000 | 1850 | 1700 | 1400 | 1200 | 900 | | | | | | | |
| | | | | | | | | | | | 2500 | 2480 | 2450 | 2400 | 3200 | 2200 | 2000 | 1800 | 1400 | 950 | | | | | | |
| | | | | | | | | | | | | 2650 | 2640 | 2630 | 2600 | 2550 | 2500 | 2300 | 2100 | 1800 | 1250 | 1000 | | | | |
| | | | | | | | | | | | | | 3000 | 2940 | 2900 | 2840 | 2700 | 2600 | 2400 | 2200 | 1850 | 1550 | 1100 | | | |
| | | | | | | | | | | | | | | | 3300 | 3300 | 3250 | 3200 | 3100 | 3000 | 2750 | 2450 | 2000 | 1300 | | |
| | | | | | | | | | | | | | | | | 3700 | 3650 | 3350 | 3450 | 3300 | 3100 | 2900 | 2600 | 2300 | 1400 | |